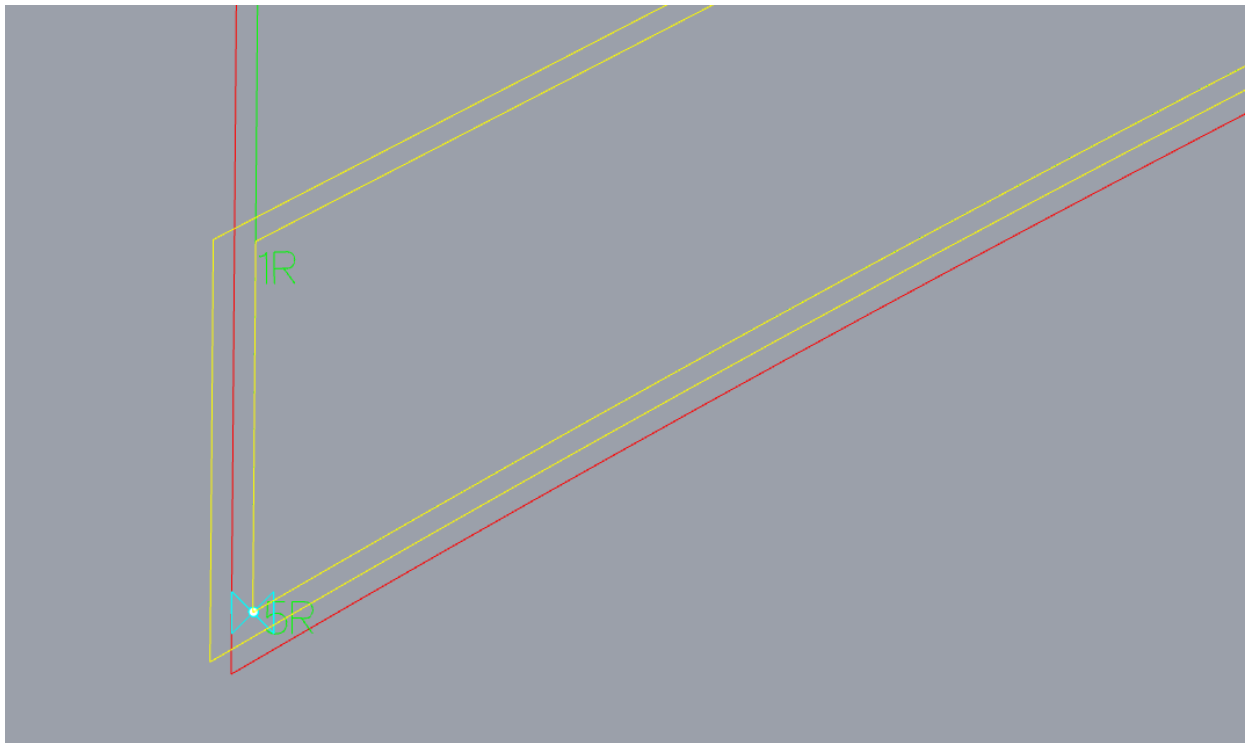


Date: 31 Jan 24

Hi KaroroCAD users

KaroroWING has had an update this week thanks to feedback from one of you.

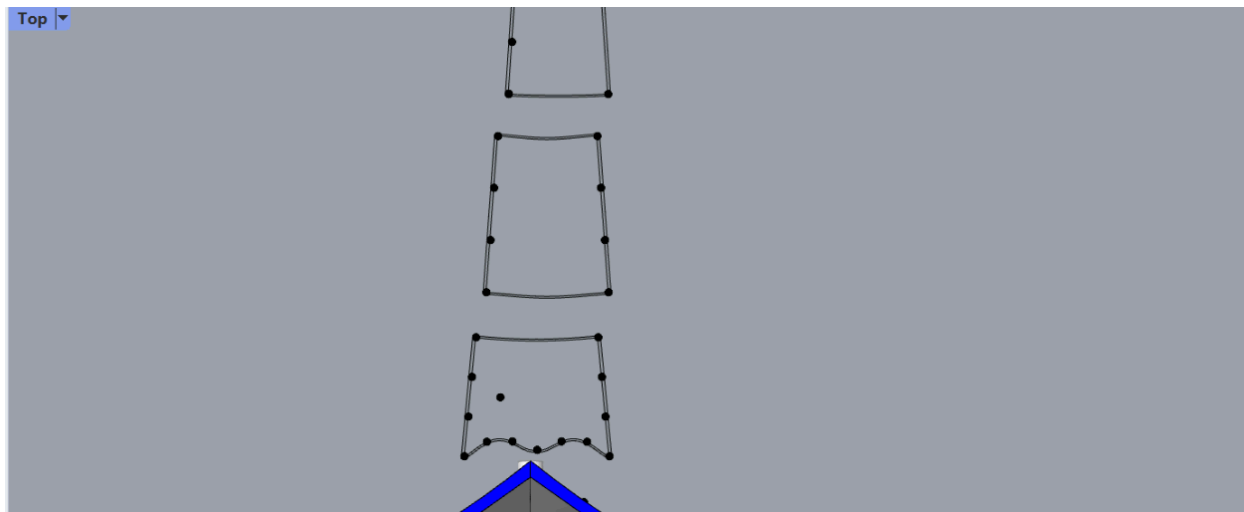
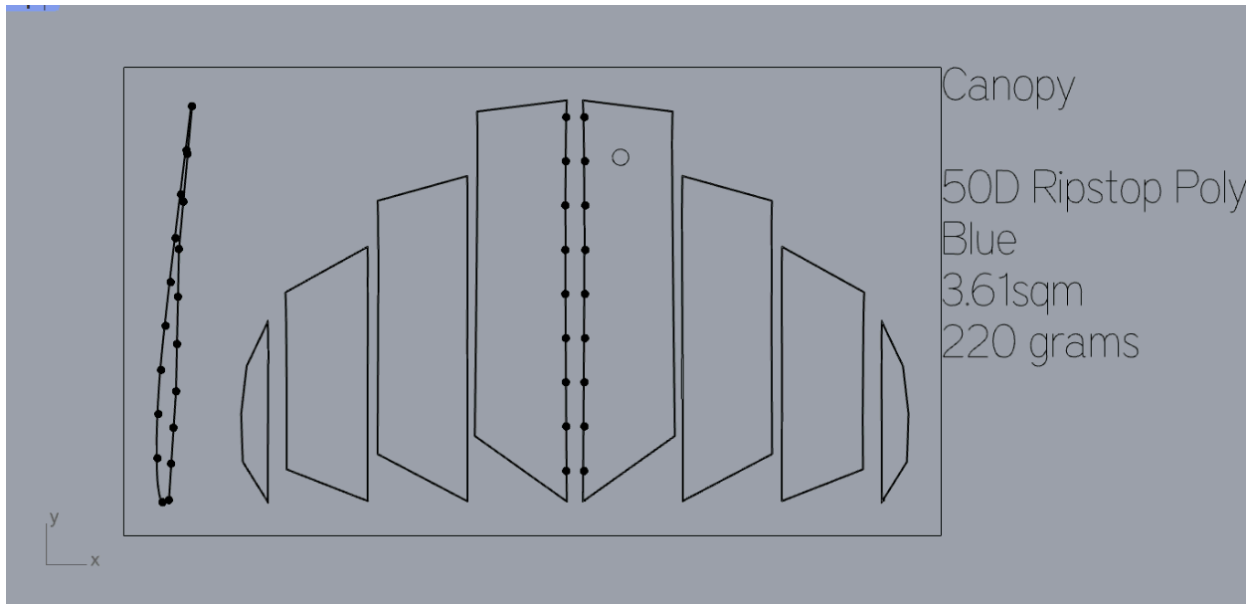
Bug Fix - TE Panel Seam Allowance:



The TE seam allowance was being applied to one edges a vs versa - this is now fixed in the update below.

New Feature - Infill Panel Alignment Marks:

We have added alignment marks to infill panel on both the strut and canopy



DXF Export Settings in Rhino:

One last item - we have had feedback from two factories recently of problems with 'low quality' DXF export files from KaroroCAD/Rhino.

This is 100% controlled by the Rhino export settings, available under "Options" in the Save/Export DXF dialogue.

Here are the settings we recommend for production delivery files:

AutoCAD Export Schemes



Export Scheme:

KaroroCAD

General Curves

AutoCAD Version: Release 14

Entities only

Export surfaces as: Meshes

Export meshes as: Meshes

Project to plane: Do not project

Export full layer paths (Parent\$Child)

Export layer names only (Child)

Color by RGB

Color by AutoCAD index

Preserve arc normals

Flip arc normals to +Z

Use LWPolylines when possible

- New
- Save
- SaveAs
- Delete
- Rename
- Export...
- Import...
- Close
- Help

Export Scheme:

KaroroCAD

General Curves

Rhino Objects

AutoCAD Objects

Lines

Polylines

Arcs

Polylines

Polylines

Polylines

Curves

Polylines

Polycurves

Polylines

Curve tessellation parameters

Maximum angle:

2.0

Chord height:

0.01

Segment length:

1.0

Explode polycurves

Split curves at kinks

Simplify lines & arcs

Simplify tolerance:

0.01

- New
- Save
- SaveAs
- Delete
- Rename
- Export...
- Import...
- Close
- Help

Thanks again for all your feedback.

--

Best Regards,

Dave Kay (DK)
Product & Software Engineer
RAD SKY DEVELOPMENT